

◆ **Technical Data:**

Model:PR-18AC-R

GENERAL SPECIFICATIONS

Timers: 1024

Counters: 1024

Function Blocks: 1024

Operation temp.: -20°C-+55°C

Storage: -40°C-+70°C

Protection: IP20 (Non-waterproof)

RTC accuracy: MAX ±2S/day

RTC Backup at 25 °C: 20 days

Program and settings Backup :10 years

Data Power-off retentivity: 10 years

Dimensions: 95*90*61 (Unit: mm)

Certificate: CE

Installation: 35-DIN rail or screw for installation

Modify parameters via keypad LCD: yes

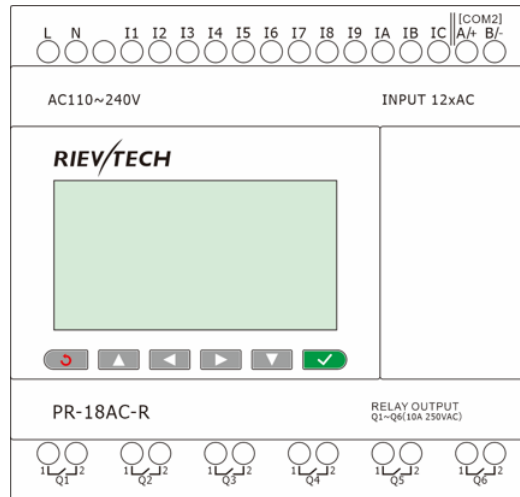
Supported programming language: FBD & Ladder

Expansion capacity: 16 modules (PR-E-16)

Password protection: 4-digit number password protection or disable program upload function

Communication interface: 1 RS232 port (COM0 – RS232 Cable) & 2 RS485 port (COM1 external - SR-RS485, COM2 built-in)

Communication protocol: Modbus RTU/ASCII

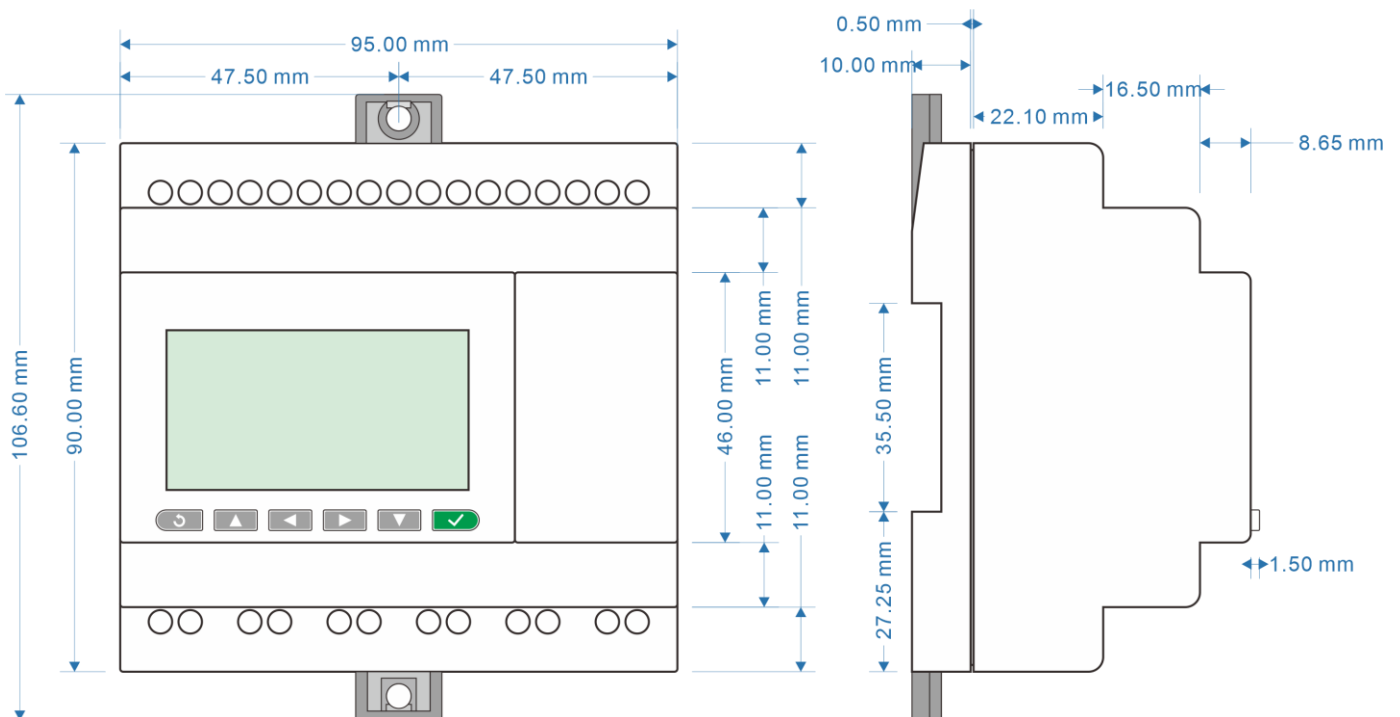


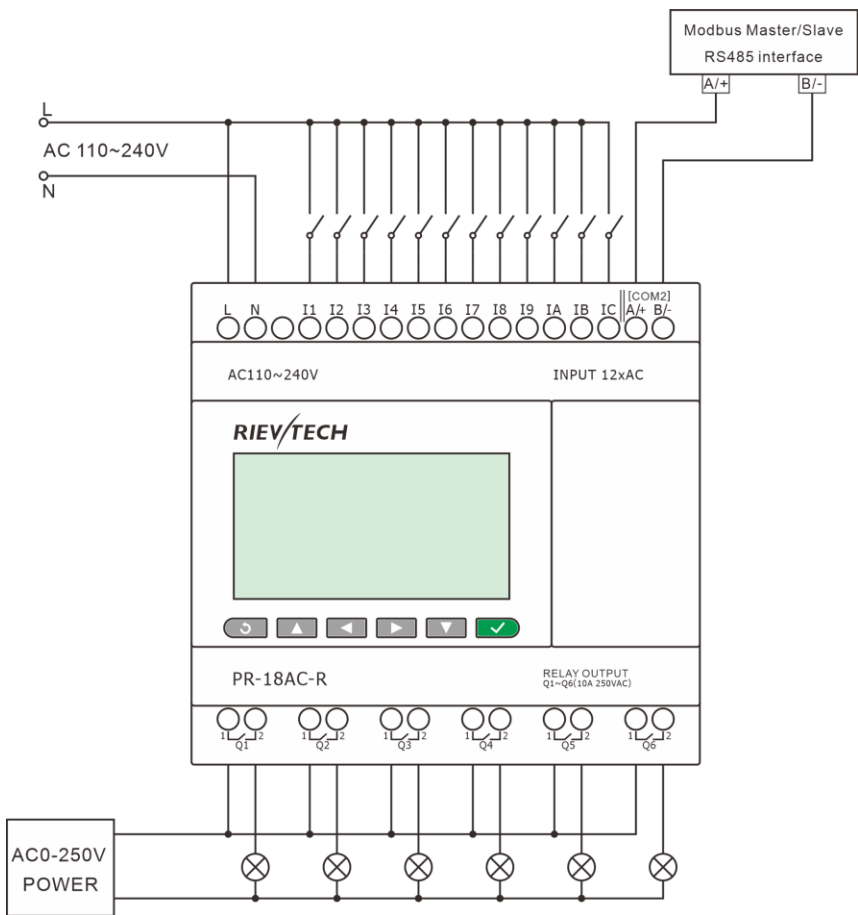
Technical Index

Power supply:	
Nominal voltage	AC110V-240V
Operating limits	AC85 - 265 V
The main frequency range	47-63Hz
Max. absorbed power	170mA (85V ac); 70mA (265V ac)
Isolation voltage	1780V AC
Protection against polarity inversions	Yes
Input parameters:	
Input No	12
Digital input	12 (I1-IC)
Analogue input	None
Input voltage	AC110-240V
Input signal0	AC0-40V; <0.03mA
Input signal1	AC79-240V; >0.06mA
Input Response Time	Delay time at 0 to 1: 120V AC : Typ. 50 ms 240V AC : Typ. 30 ms

	Delay time at 1 to 0: 120V AC : Typ. 90 ms 240V AC : Typ.100 ms
Maximum counting frequency	Typ. 4Hz
Sensor type	Contact
Isolation between power supply and inputs	None
Isolation between inputs	None
Protection against polarity inversions	Yes
Output parameters:	
Output No.	6 (Q1-Q6)
Output type	Relay output
Safety certified load (resistive)	10A 250V AC
Min switching load	6V 1A
Electrical durability Expectancy	10 ⁵ Operations at Rated Resistive Load
Mechanical life	10 ⁷ Operations at No Load condition
Response time	Operate Time: 15 mSec. Max. Release Time: 10 mSec. Max.
Built-in protections	Against short-circuits: None Against over-voltages and overloads: None
Switch frequency:	
Resistor/light load	2Hz
Sensitive load	0.5Hz
Other parameters:	
Weight	Approx.300g

Installation Dimensions & Wiring Diagram





Program(xlogicsoft) Specification

SYSTEM		Operating System requirements		Windows XP/7/8/10/11		
		Programming languages		Function block		
		Program Memory		1024		
		Execution Speed		<0.1ms per function		
		LCD Display		4 lines x 16 characters		
		Functions		Up to 70 function blocks		
BASIC	Timers					a.On-delay; b.Off-delay etc. Up to 12 kind Timers
	Maximum Number	1024				
	Timing Ranges	10ms--99 h59m				
	Counters					a.Up/down Counter b.Hours Counter c.Frequency Threshold Trigger
	Maximum Number	1024				
	Highest Count	99999999				
	Resolution	1				
	RTC					a.Weekly Timer b.Yearly Timer
	Number available	1024				
	Resolution	1 min				
	Time span available	Week/year-month-day-hour-min				
	Flags					a.Digital Flag b.Analog Flag
	Digital flags	256				
	Analog flags	256				
	PI Functions					a.PI Controller
	Number available	30				
	Parameter Ranges	1-32767				
	Analog Math					a.Analog Math b.Analog Math Error detection
Number available	1024					
Function	ADD, Subtract,Multiply, Divide					
Analog Ramp Function					a. Analog Ramp	
Number available	55					
Compare Function					a.Analog compactor b.Comparison of 2 values	
Number available	1024					
Special Functions	HMI Screens					a.Message texts
	Number available	128				
	Display/Edit	Preset Current value and Free text				
	PWM Functions					a.PWM
	Number available	1024, (2 fast output for Transistor)				
	Communication Functions					a.Modbus write b.Modbus read
	Number available	1024(Only CPU works as Master need these 2 blocks, slave does not need)				
	Word/bit data Conversion	Square Boot	Sin/Cos	RS latch relay		
	Data-logger Function	Analog watchdog	Analog filter	Average value		
	Pumps Management	Defrost function	Multiplexer	Pulse Relay		
Cam Control	Astronomical clock	Stop watch	Boolean function			

Note: 1.Not all program functions are listed in this table i.e. AND,NAND,OR,NOT,NOR,XOR,SHIFT REGISTER,DATA LATCHING RELAY, COMPORT STATUS etc.

